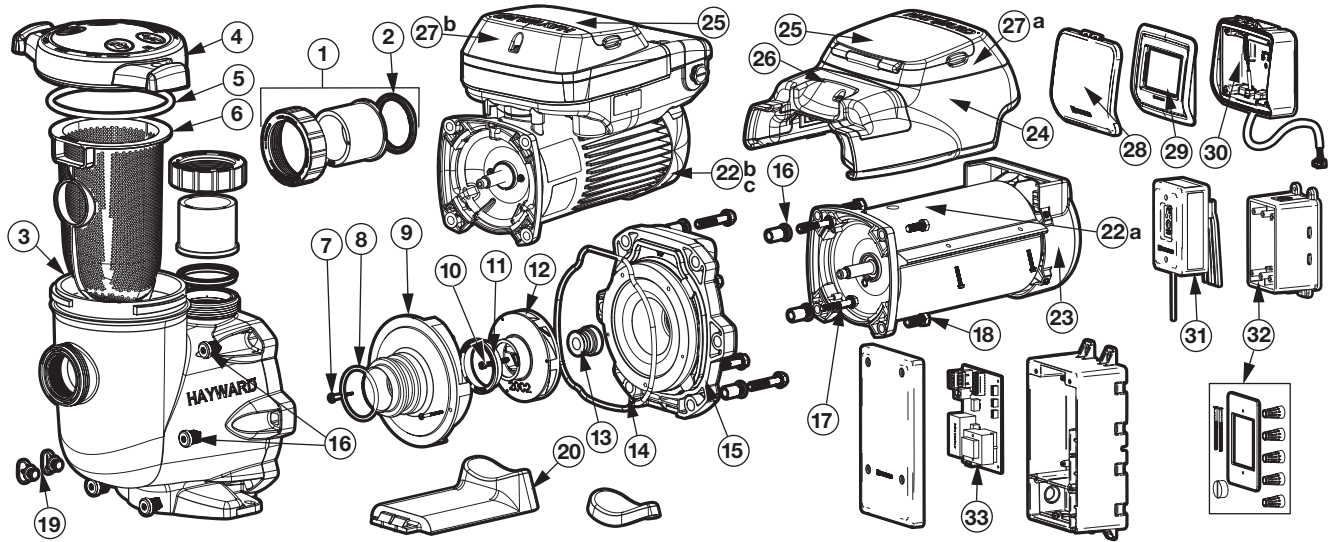


# Tristar® VS 900/950 Omni®

## PUMP SERIES REPLACEMENT PARTS

Parts for Pump Models: SP32950VSP, SP32900VSP, HL32950VSP, HL32900VSP



| Ref. No. | Part No.      | Description   | Ctn. Qty. |
|----------|---------------|---|-----------|
| 1        | SPX3200UNKIT  | Union Connector Kit (Includes Union Nut, Union Connector, Union Gasket - 2 ea.)             | 10        |
| 2        | SPX3200UG     | Union Gasket  | 100       |
| 3        | SPX3200A      | Pump Strainer Housing, 2" x 2 1/2" with Drain Plugs, Threaded Style                         | 1         |
| 4        | SPX3200DLS    | Strainer Cover Kit (Includes Strainer Cover, Lock Ring, O-Ring)                             | 10        |
| 5        | SPX3200S      | Strainer Cover O-Ring   | 50        |
| 6        | SPX3200M      | Strainer Basket   | 2         |
| 7        | SPX3200Z8     | Diffuser Screw (5 Pack)   | 50        |
| 8        | SPX4000Z1     | Diffuser O-Ring   | 50        |
| 9        | SPX3200B3     | Diffuser  | 5         |
| 10       | SPX3200Z1     | Impeller Screw  | 50        |
| 11       | SPX3021R      | Impeller Ring   | 50        |
| 12       | SPX3220C      | Impeller with Impeller Screw, TriStar VS 950  | 10        |
| 12       | SPX3210C      | Impeller with Impeller Screw, TriStar VS 900  | 10        |
| 13       | SPX4000SAV    | Viton® Shaft Seal Assembly  | 10        |
| 14       | SPX3200T      | Housing O-Ring  | 50        |
| 15       | SPX3200E      | Seal Plate  | 5         |
| 16       | SPX3200Z211   | Housing Insert/Seal Plate Spacer Kit  | 50        |
| 17       | SPX3200Z3     | Housing Bolt  | 50        |
| 18       | SPX3200Z5PAK4 | Motor Bolt Kit  | 50        |
| 19       | SPX4000FG     | Drain Plug with O-Ring  | 50        |
| 20       | SPX3200GA     | Bracket, Motor Support  | 5         |
| 21       | SPX3200WF     | Riser Base Aligns with Pentair® WhisperFlo® Ports   | 1         |
| 21       | SPX3200SR     | Riser Base Aligns with Sta-Rite® Max-E-Pro™, Max-E-Glas®, Dura-Glas® and Dura-Glas II Ports | 1         |
| 22a      | SPX3400Z1ECM  | Motor Assembly, TriStar VS 950 (before January 2019)  | 1         |
| 22b      | SPX3206Z1VSPE | Power End Assembly, TriStar VS 950  | 1         |
| 22c      | SPX3202Z1VSPE | Power End Assembly, TriStar VS 900  | 1         |
| 23       | SPX3400FAN    | Motor Fan Shroud, TriStar VS 950 (before January 2019)                                      | 5         |
| 24       | SPX3400DR     | Motor Drive, TriStar VS 950 (Includes Digital Control Interface, before January 2019)       | 1         |
| 25       | SPX3400DR4    | Motor Drive Display Cover   | 5         |
| 26       | SPX3400DR2    | Motor Drive Wiring Cover, TriStar VS 950 (before January 2019)                              | 5         |
| 27a      | SPX3400LCD    | Digital Control Interface Assembly, TriStar VS 950 (before January 2019)                    | 1         |
| 27b      | SPX3200LCD    | Digital Control Interface Assembly (after January 2019)                                     | 1         |
| 28       | HLXDCOVER     | Sun Cover Replacement   | 5         |
| 29       | HLXDLCD       | LCD Disp Replacement  | 5         |
| 30       | HLXDSPCASE    | Case Replacement  | 1         |
| 31       | HLX485RELAY   | Replacement RS485 Relay   | 1         |
| 32       | HLXJBOX       | Replacement Jbox  | 1         |
| 33       | HLXHIOPCB     | OmniHub PCB   | 1         |
| —        | HLXHW5PK      | OmniHub Hardware - Not Shown (5 pack)   | 10        |
| —        | HLXWHIP6      | Omni 6 ft. Whip - Not Shown   | 5         |
| —        | SPX3400DRKIT  | Wall Mount Kit for Digital Control Interface  | 5         |
| —        | SPX3400DRCBL  | Wall Mount Display Cable  | 5         |
| —        | SPXHKIT100    | H-KIT Quick Pump Repair (Includes items 5, 8, 13, 14 and Jack's Lube)                       | 10        |
| —        | GLX-ACT-CONN  | Actuator Connector  | 100       |
| —        | HLH485RELAY   | Omni RS485 Smart Relay  | 1         |
| —        | HLX485100     | RS485 100 ft. Extension   | 15        |
| —        | HLX485200     | RS485 200 ft. Extension   | 5         |
| —        | HLXRLLABL     | Replacement Relay Label   | 10        |