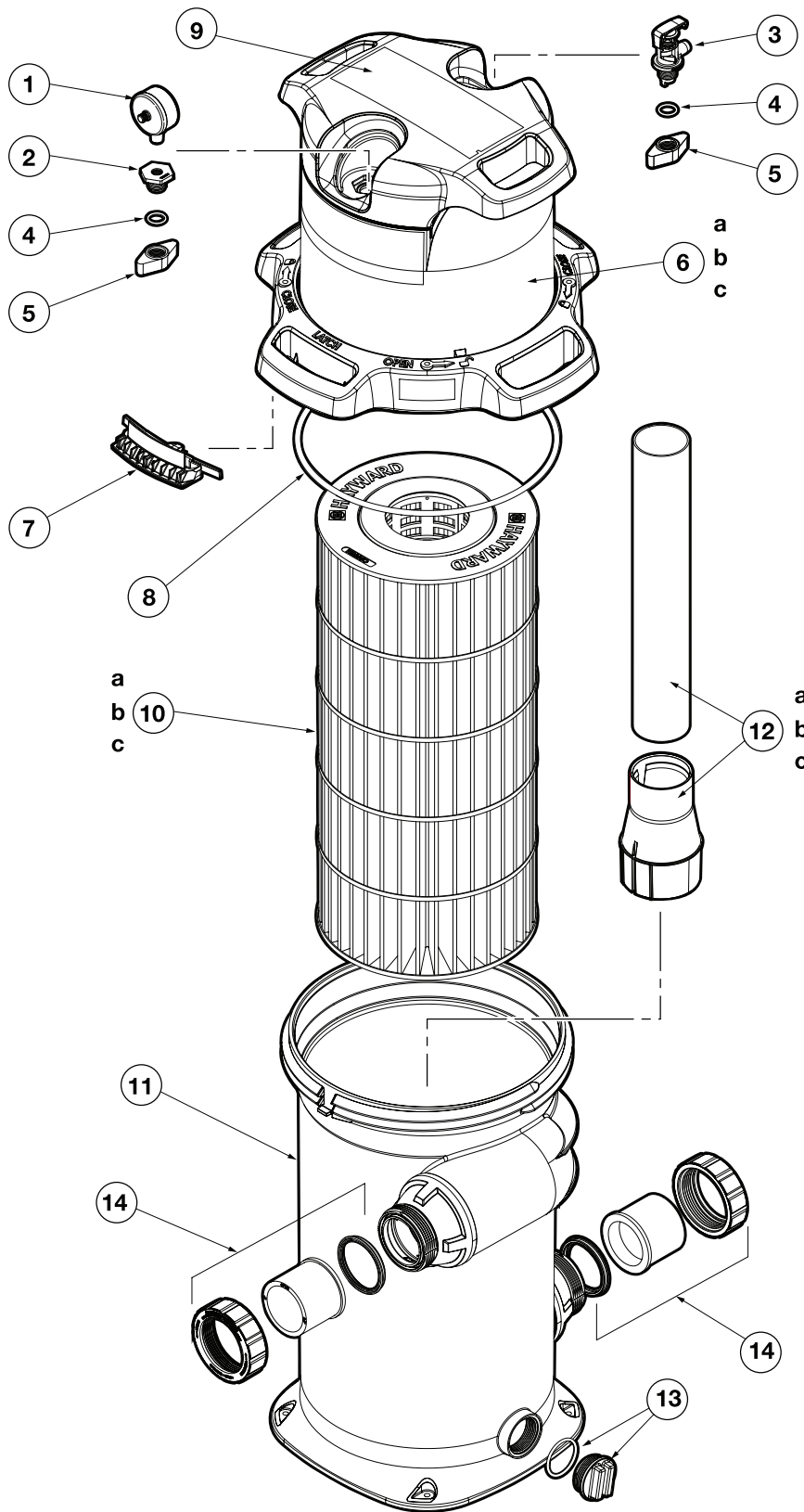


Parts Diagram



Ref#	Code	Description	Ctn.Qty.
1	20-ECX271261	Pressure Gauge	100
2	20-CCX1000L	Threaded Adapter for Pressure Gauge	50
3	20-CXRLV1001	Air Relief Assembly with O-Ring	20
4	20-CXGAR1001PAK2	O-Ring Kit (Set of 2)	20
5	20-CCX1000N	Adapter Nut (Set of 2)	50
6a	20-CX100B	Filter Head Assembly, C100S	1
6b	20-CX150B	Filter Head Assembly, C150S	1
6c	20-CX200B	Filter Head Assembly, C200S	1
7	20-CXLRL1001	Latch for Lock Ring	10
8	20-CXFHR1001	O-Ring for Filter Head	10
9	20-CXSLS1001	SwimClear Label Set	10
10a	20-CX100XRE	Cartridge Element C100S	1
10b	20-CX150XRE	Cartridge Element C150S	1
10c	20-CX200XRE	Cartridge Element C200S	1
11	20-CXFBA1001	Filter Body Assembly	1
12a	20-CXFDA100	Filter Diffuser Assembly C100S	1
12b	20-CXFDA150	Filter Diffuser Assembly C150S	1
12c	20-CXFDA200	Filter Diffuser Assembly C200S	1
13	20-SP1022CBLK	Drain Plug with O-Ring	100
13	20-SPX3200UNK	Union Connection Kit (2 each of Nuts, Connectors and Gaskets)	10
OPTIONAL			
–	CX100XREBVS	Blue Value Cartridge Element C100S	1
–	CX150XREBVS	Blue Value Cartridge Element C150S	1
–	CX200XREBVS	Blue Value Cartridge Element C200S	1