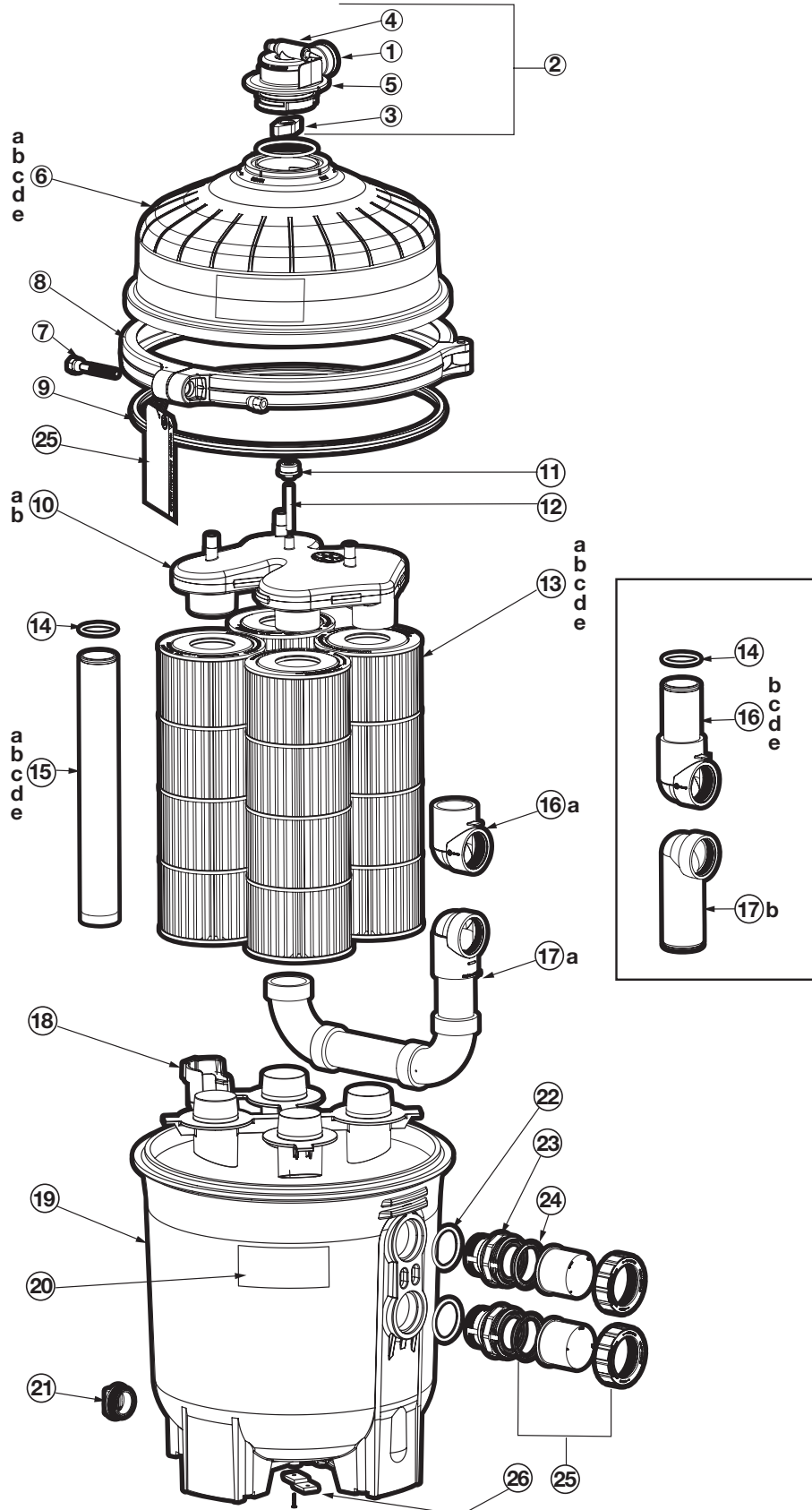


# SwimClear™ Multi-Element

CARTRIDGE FILTER SERIES REPLACEMENT PARTS

## Parts Diagram



# SwimClear™ Multi-Element

## CARTRIDGE FILTER SERIES REPLACEMENT PARTS

### Parts Listing

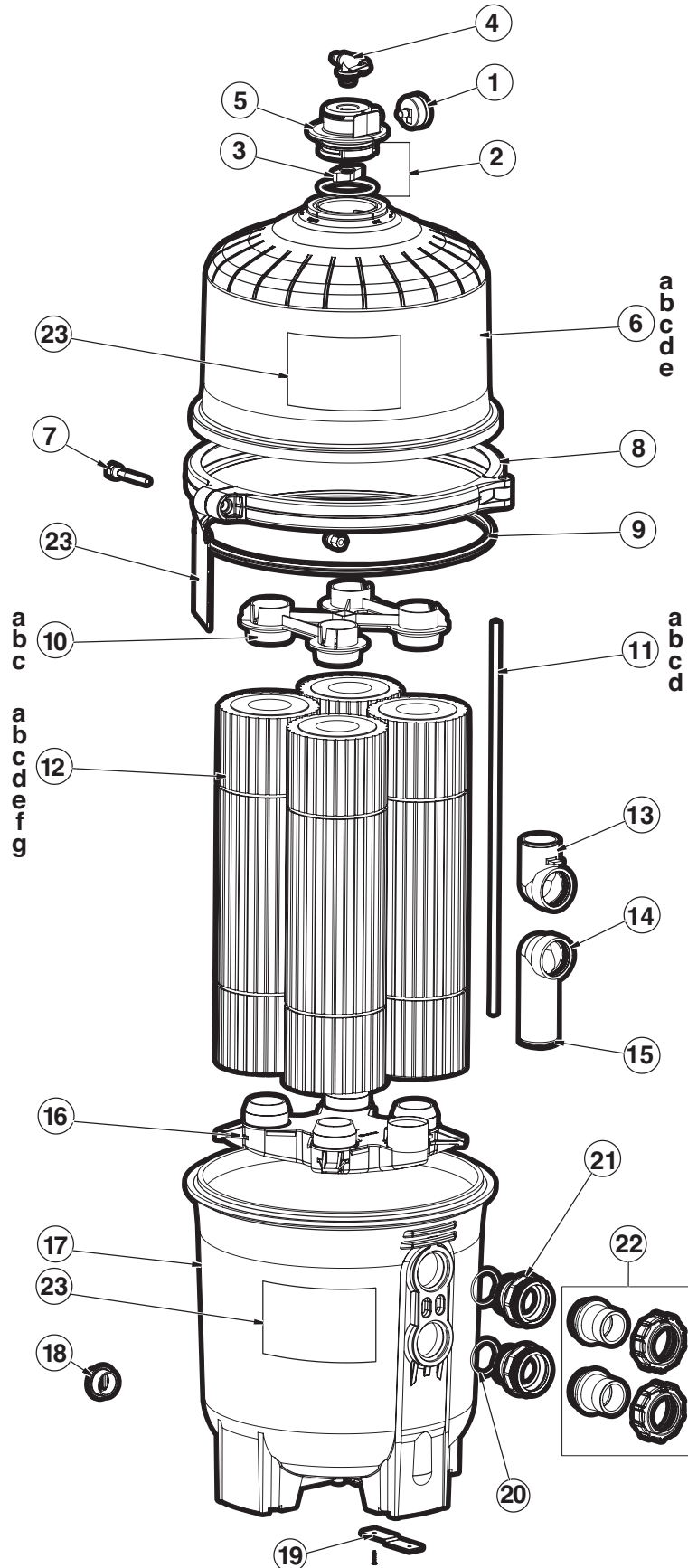
Ref. No.	Part No.	Description	Ctn. Qty.
1	ECX2712B1	Pressure Gauge	20
2	DEX2420Z8A	O-Ring Kit (set of 2)	10
3	CCX1000N	Air Relief Valve Nut	50
4	CCX1000V	Manual Air Relief with O-Ring	50
5	DEX2420MAR2	Manual Air Relief Assembly	1
6a	DEX2420BTC	Upper Filter Body with Clamp C2030	1
6b	DEX3620BTC	Upper Filter Body with Clamp C3030	1
6c	DEX4820BTC	Upper Filter Body with Clamp C4030	1
6d	DEX6020BTC	Upper Filter Body with Clamp C5030	1
6e	DEX7220BTC	Upper Filter Body with Clamp C7030	1
7	DEX2421J2	Clamp Bolt and Nut	10
8	DEX2421JKIT	Clamp System (Includes Clamp, Clamp Nut and Bolt, Hang Tag, Metal Reinforced Seal, and Labels)	1
9	DEX2422Z2	Metal Reinforced Seal	1
10a	CX3030C	Top Manifold C2030, C3030, C4030	1
10b	CX5030C	Top Manifold C5030, C7030	1
11	CX3000J1	Air Relief Filter	150
12	CX2030Z3	Air Relief Tube	10
13a	CX481XRE	Cartridge Element C2030	1
	CX481XREPAK4	Cartridge Elements (4 Pack) C2030	1
11	CX3000J1	Air Relief Filter	150
12	CX2030Z3	Air Relief Tube	10
13a	CX481XRE	Cartridge Element C2030	1
	CX481XREPAK4	Cartridge Elements (4 Pack) C2030	1
13b	CX580XRE	Cartridge Element C3030	1
	CX580XREPAK4	Cartridge Elements (4 Pack) C3030	1
13c	CX880XRE	Cartridge Element C4030	1
	CX880XREPAK4	Cartridge Elements (4 Pack) C4030	1
13d	CX1280XRE	Cartridge Element C5030	1
	CX1280XREPAK4	Cartridge Elements (4 Pack) C5030	1
13e	CX591XRE	Cartridge Element C7030	1
	CX591XREPAK4	Cartridge Elements (4 Pack) C7030	1
	CX7020M	Mid Plate Connector C7030	1
14	DEX2400Z5	Outlet Pipe O-Ring	10
15a	CX3031F6	Outlet Pipe C2030	1
15b	CX3031F7	Outlet Pipe C3030	1
15c	CX3031F8	Outlet Pipe C4030	1
15d	CX3031F9	Outlet Pipe C5030	1
15e	CX3031F10	Outlet Pipe C7030	1
16a	CX3030F	Inlet Elbow (after Sept. 2012)	5
16b	CX3030F1	Outlet Elbow with Pipe C2030 (prior to Sept. 2012)	5
16c	CX3030F2	Outlet Elbow with Pipe C3030 (prior to Sept. 2012)	—
16d	CX3030F3	Outlet Elbow with Pipe C4030 (prior to Sept. 2012)	—
16e	CX3030F4	Outlet Elbow with Pipe C5030 (prior to Sept. 2012)	—
17a	CX3030H	SwimClear Lower Piping Assembly (after Sept. 2012)	1
17b	CX3020FB	Outlet Elbow (prior to Sept. 2012)	5
18	CX3030D	Bottom Cartridge Mounting Plate	1
19	DEX2420ATC	Lower Filter Body with Clamp	1
20	DEX2420LA6PAK	Label Pack (Includes all Warning and Operation Labels, Hang Tag, Wire Tie, Owner's Manual)	10
21	SP1022CBLK	1 ½" Drain Plug with O-Ring (Black)	100
22	SX220Z2	Bulkhead O-Ring	10
23	CX3035F	Bulkhead Fitting	25
24	SPX3200UG	Union Gasket (set of 2)	100
25	SPX3200UNKIT	Union Connection Kit (2 each of nuts, connectors, gaskets)	10
26	DEX2420DCKIT	(Optional) Tie Down – Strap Kit (2 each of straps, screws)	25

# SwimClear™ Multi-Element

CARTRIDGE FILTER SERIES REPLACEMENT PARTS

## Parts Diagram

Filters



# SwimClear™ Multi-Element

## CARTRIDGE FILTER SERIES REPLACEMENT PARTS

### Parts Listing

Ref. No.	Part No.	Description	Ctn. Qty.
1	ECX2712B1	Pressure Gauge	20
2	DEX2420Z8A	O-Ring Kit ( <i>Set of 2</i> )	10
3	CCX1000N	Manual Air Relief Valve Nut	50
4	CCX1000V	Manual Air Relief Valve with O-Ring	50
5	DEX2420MAR2	Manual Air Relief Assembly	1
6a	DEX2420BTC	Filter Head (C2020/C2025)	1
6b	DEX3620BTC	Filter Head (C3020/C3025)	1
6c	DEX4820BTC	Filter Head (C4020/C4025)	1
6d	DEX6020BTC	Filter Head (C5020/C5025)	1
6e	DEX7220BTC	Filter Head (C7000/C7020)	1
7	DEX2421J2*	Clamp Bolt and Nut	10
8	DEX2421JKIT	Clamp Assembly (Including Clamp, Clamp Nut and Bolt, Warning Hang Tag, Metal Reinforced Seal and Labels)	1
9	DEX2422Z2*	Metal Reinforced Seal	1
10a	CX2020DA	Top Closure Plate (C2020/C2025)	1
10b	CX3020DA	Top Closure Plate (C3020/C3025, C4020/C4025)	1
10c	CX5020DA	Top Closure Plate (C5020/C5025)	1
11a	CX800Z4	Air Relief Tube Assembly (C2020/C2025)	20
11b	CX3000Z3	Air Relief Tube Assembly (C3020/C3025)	50
11c	CX4000Z3	Air Relief Tube Assembly (C4020/C4025)	50
11d	CX5000Z3	Air Relief Tube Assembly (C5020/C5025)	50
12a	CX480XRE	Replacement Element (C2020/C2025)	1
	CX480XREPAK4	Cartridge Elements (C2020, C2025) – 4 Pack	1
12b	CX580XRE	Replacement Element (C3020/C3025)	1
	CX580XREPAK4	Cartridge Elements (C3020, C3025) – 4 Pack	1
12c	CX880XRE	Replacement Element (C4020/C4025)	1
	CX880XREPAK4	Cartridge Elements (C4020, C4025) – 4 Pack	1
12d	CX875XRE	Replacement Element (C4520)	1
	CX875XREPAK4	Cartridge Elements (C4520) – 4 Pack	1
12e	CX1280XRE	Replacement Element (C5020/C5025)	1
	CX1280XREPAK4	Cartridge Elements (C5020, C5025) – 4 Pack	1
12f	CX1380XRE	Replacement Element (C5520 Series)	1
	CX1380XREPAK4	Cartridge Elements (C5520) – 4 Pack	1
12g	CX590XRE	Replacement Element (C7000/C7020)	1
	CX590XREPAK4	Cartridge Elements (C7000, C7020) – 4 Pack	1
—	CX7020M	Mid Plate Connector (C7000/C7020 Models Only)	1
13	CX3000F1B	Inlet Elbow	25
14	CX3020FB	Outlet Elbow	5
15	DEX360M	O-Ring	100
16	CX3000C	Bottom Collector Manifold	—
	CX3030CKIT	Top Manifold Conversion Kit (C2020/C2025/C3020/C3025/C4020/C4025)	1
	CX5030CKIT	Top Manifold Conversion Kit (C5020/C5025/C7000/C7020)	1
17	DEX2420ATC	Filter Body	1
18	SP1022CBLK	1 ½" Drain Plug with O-Ring	100
19	DEX2420DCKIT	Strap Kit (Optional)	25
20	SX220Z2	O-Ring	10
21	DEX2420F	Bulkhead Fitting	25
22	DE2400PAK2CS	Plumbing Kit (Includes 2 O-Rings, 2 Slip Connectors and 2 Locknuts)	10
23	DEX2420LA6PAK	Label Pack (Includes all Warning and Operation Labels, Hang Tag (#24), Wire Tie and Owner's Manual)	10

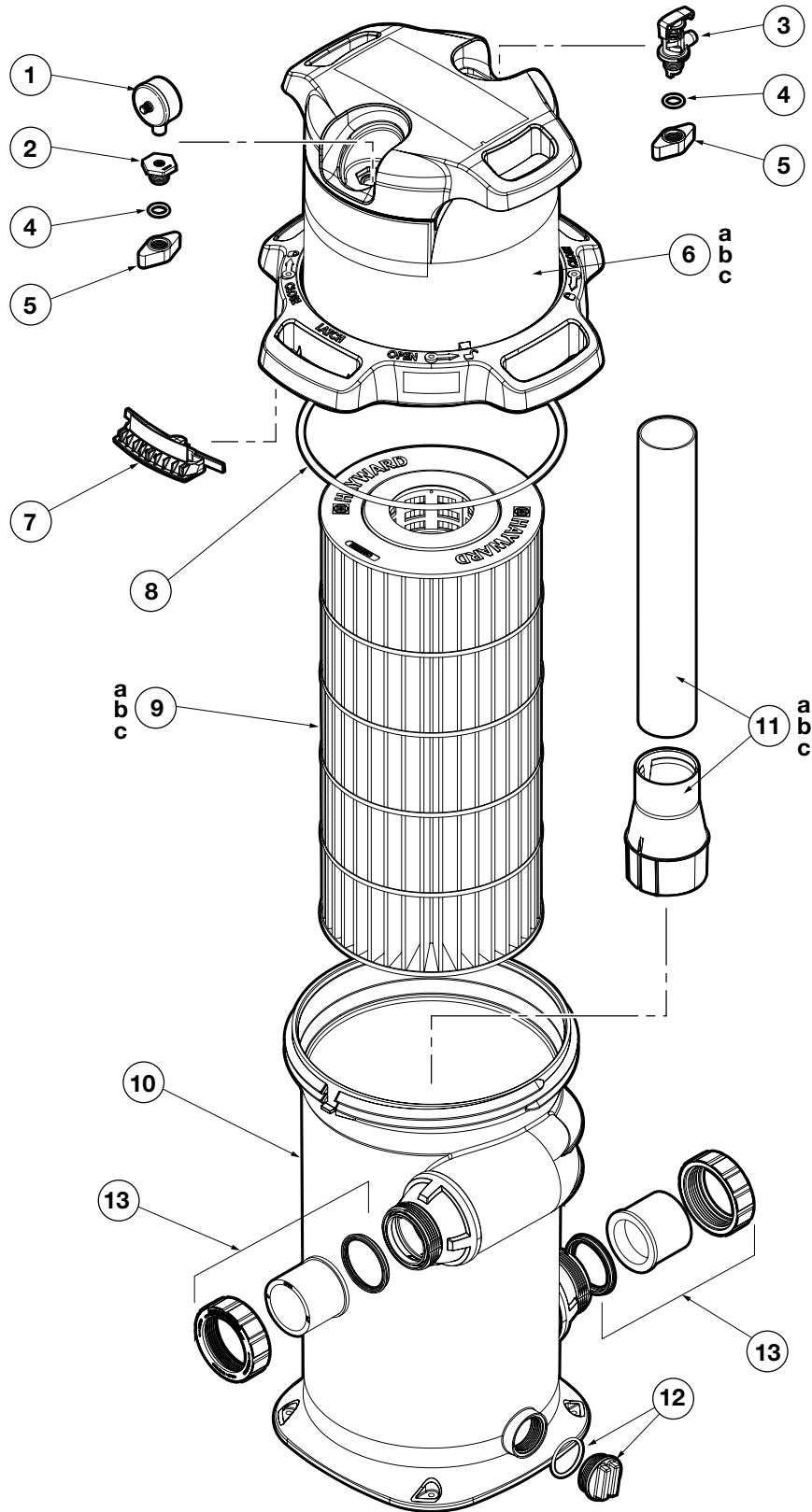
**NOTE:** \*Compatible only with DEX2421JKIT clamp system for Hayward Pro-Grid™ D.E. and SwimClear™ cartridge filters.

# SwimClear™ Single-Element

C100S, C150S, C200S CARTRIDGE FILTER SERIES REPLACEMENT PARTS

## Parts Diagram

Filters



# SwimClear™ Single-Element

C100S, C150S, C200S CARTRIDGE FILTER SERIES REPLACEMENT PARTS

## Parts Listing

Ref. No.	Part No.	Description	Ctn. Qty.
1	ECX271261	Pressure Gauge	20
2	CCX1000L	Threaded Adapter for Pressure Gauge	50
3	CXRLV1001	Air Relief Assembly with O-Ring	20
4	CXGAR1001PAK2	O-Ring Kit (Set of 2)	20
5	CCX1000N	Adapter Nut (Set of 2)	50
6a	CX100B	Filter Head Assembly, C100S	1
6b	CX150B	Filter Head Assembly, C150S	1
6c	CX200B	Filter Head Assembly, C200S	1
7	CXLRL1001	Latch for Lock Ring	10
8	CXFHR1001	O-Ring for Filter Head	10
9a	CX100XRE	Cartridge Element C100S	1
9b	CX150XRE	Cartridge Element C150S	1
9c	CX200XRE	Cartridge Element C200S	1
10	CXFBA1001	Filter Body Assembly	1
11a	CXFDA100	Filter Diffuser Assembly C100S	1
11b	CXFDA150	Filter Diffuser Assembly C150S	1
11c	CXFDA200	Filter Diffuser Assembly C200S	1
12	SP1022CBLK	Drain Plug with O-Ring	100
13	SPX3200UNKIT	Union Connection Kit (2 each of Nuts, Connectors and Gaskets)	10
<b>OPTIONAL</b>			
—	SPX1500JS	Union Connector 1.5" Socket	25
—	SPX1500JT	Union Connector 1.5" FIP	—