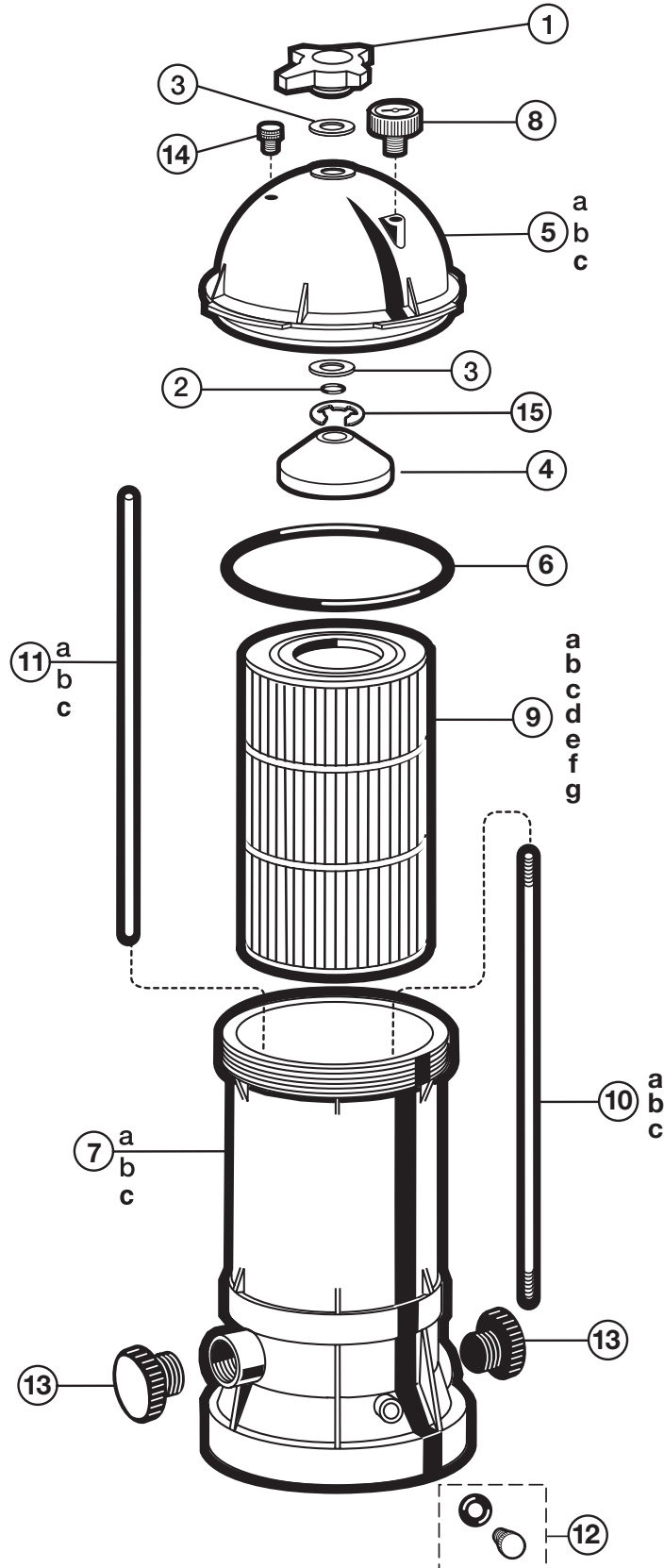


# StarClear™ Plus

CARTRIDGE FILTER SERIES AND SEPARATION TANK REPLACEMENT PARTS

## Parts Diagram



### Parts Listing

Ref. No.	Part No.	Description	Ctn. Qty.
1	CX900G	Locking Knob (C751, C900, C1200, C1502 Series)	5
	CX900DA	Knob Accessory Kit (Includes Plastic Washers, O-Ring, Guide Cone and E-Clip)	20
	CX1750G	Locking Knob (C1750, C2002 Series)	5
2	CX900H	Knob O-Ring	50
3	CX900WPAK2	Knob Washer (Set of 2)	25
4	CX900D	Guide Cone	10
5a	CX900B	Filter Head with Directional Vent Valve (C751, C900 Series)	1
5b	CX1200B	Filter Head with Directional Vent Valve (C1200, C1502 Series)	1
5c	CX1750B	Filter Head with Directional Vent Valve (C1750, C2002 Series)	1
6	CX900F	Filter Head O-Ring	50
7a	CX900AA	Filter Body – 1 ½" FIP (C751, C900)	1
	CX900AA2	Filter Body – 2" FIP (C7512, C9002, C9002S)	1
7b	CX1200AA	Filter Body – 1 ½" FIP (C1200)	—
	CX1200AA2	Filter Body – 2" FIP (C12002, C12002S, C1502)	—
7c	CX1750AA2	Filter Body – 2" FIP (C17502, C17502S, C2002)	1
8	ECX271261	Pressure Gauge	20
9a	CX760RE	Cartridge Element (C751 Series)	1
9b	CX900RE	Cartridge Element (C900 Series)	1
9c	CX1200RE	Cartridge Element (C1200 Series)	1
9d	CX1520RE	Cartridge Element (C1502 Series)	—
9e	CX2020RE	Cartridge Element (C2002 Series)	1
9f	CX1750RE	Cartridge Element (C1750 Series)	1
9g	CX1900RE	Cartridge Element (C1900 Series)	1
10a	CX800Z2	Tie Rod (C751, C900 Series)	1
10b	CX1100Z2	Tie Rod (C1200, C1502 Series)	1
10c	CX1750Z2	Tie Rod (C1750, C2002 Series)	1
11a	CX800Z4	Air Relief Tube (C751, C900 Series)	20
11b	CX1100Z4	Air Relief Tube (C1200, C1502 Series)	10
11c	CX1750Z4	Air Relief Tube (C1750, C2002 Series)	1
12	CX250Z14A	Drain Plug Kit (Includes Plug and O-Ring)	50
13	CX900K	2" PVC Socket Connector	20
14	ECX1322A	Directional Vent Valve with O-Ring	20
15	CX900J	E-Ring	20

#### D.E. SEPARATION TANK Parts are same as C900 except replace cartridge element with option below.

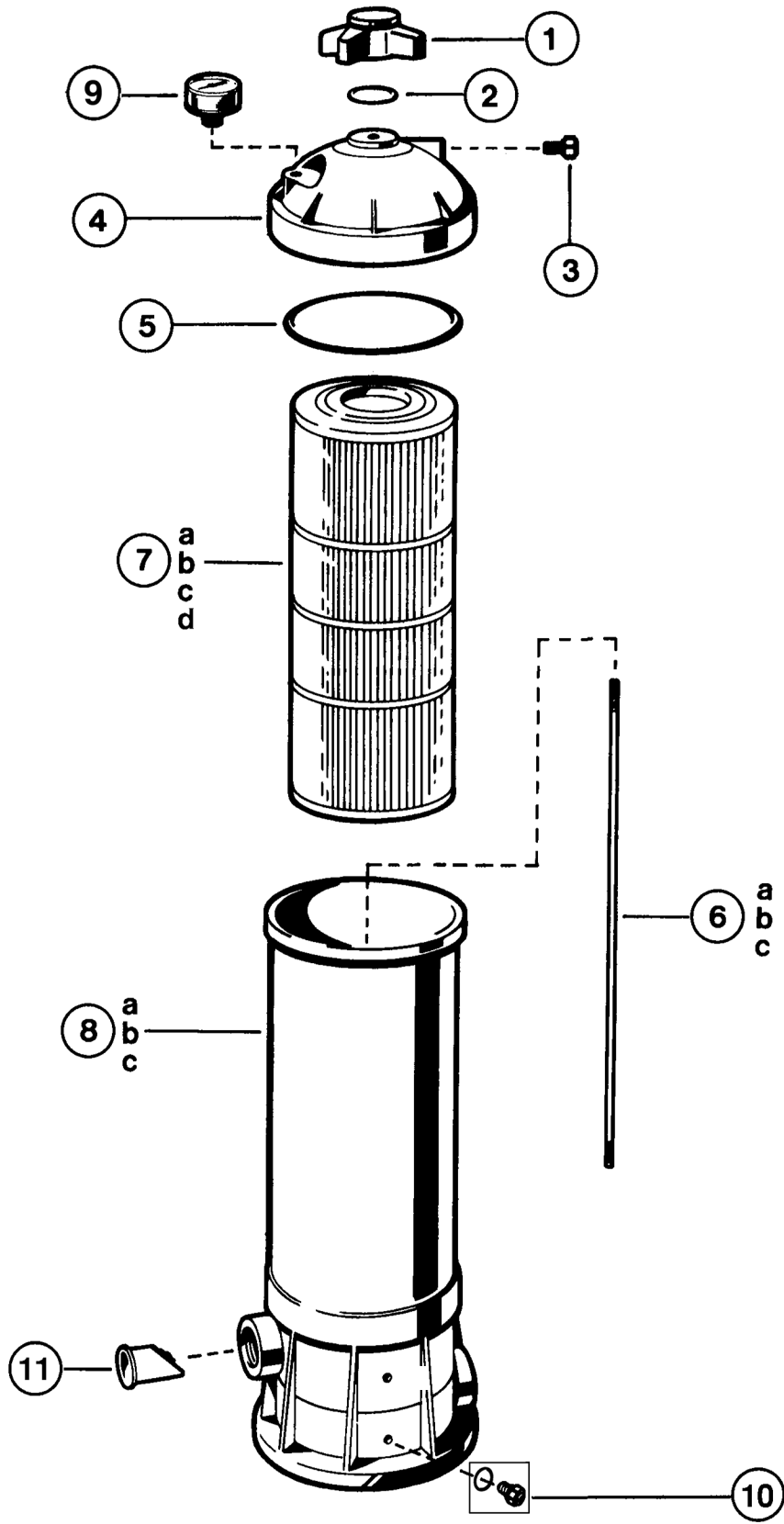
—	CX900DB	D.E. Collector Bag Assembly (May 2004 and Prior)	1
—	CX900DBA	D.E. Collector Bag Assembly (after May 2004)	1

# StarClear™

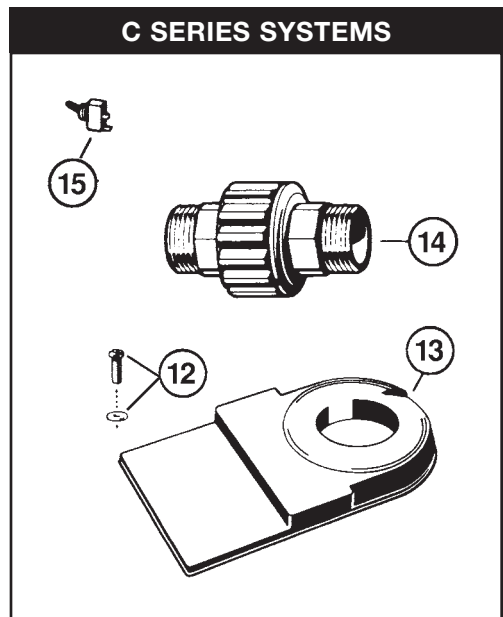
## CARTRIDGE FILTER SERIES REPLACEMENT PARTS

### Parts Diagram

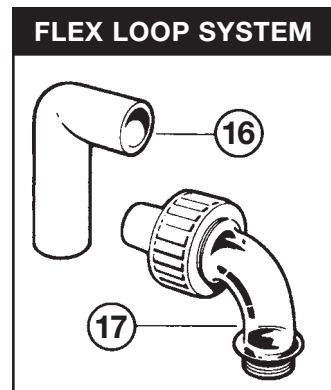
Filters



### C SERIES SYSTEMS



### FLEX LOOP SYSTEM



## Parts Listing

Ref. No.	Part No.	Description	Ctn. Qty.
1	CX250G	Locking Knob	10
2	CX250Z7	O-Ring	20
3	ECX1322A	Directional Vent Valve with O-Ring	20
4	CX250C	Filter Head (Dome) with Air Relief Valve	4
5	CX250F	Filter Head Gasket	50
6a	CX250Z2S	Tie Rod (C250), 18 $\frac{9}{32}$ "	1
6b	CX500Z2S	Tie Rod (C500), 28 $\frac{3}{32}$ "	1
6c	CX750Z2S	Tie Rod (C750, C100), 38 $\frac{1}{16}$ "	1
7a	CX250RE	Cartridge Element (C250)	1
7b	CX500RE	Cartridge Element (C500)	1
7c	CX750RE	Cartridge Element (C750)	1
7d	CX1000RE	Cartridge Element (C100)	1
8a	CX250AA1	Filter Body with Tie Rod Assembly (C250)	—
8b	CX500AA1	Filter Body with Tie Rod Assembly (C500)	—
8c	CX750AA1	Filter Body with Tie Rod Assembly (C750, C100)	1
9	ECX27091	Pressure Gauge, Back Mount	25
10	CX250Z14A	Drain Plug Kit	50
11	ECX4077B1	Check Valve (optional)	20

## C Series Systems

—	SPX1250WA	6 ft. Cord Set- No. 14/3 AWG	10
—	ECX1248	Cord Strain Relief	—
12	ECX1108A	Pump Mounting Screw with Washer	10
13	EC1161PAK	Platform Base with Screws - Low Profile	1
14	SP1480BLK	1 $\frac{1}{2}$ " Male Union	50
15	ECX1325	Switch Assembly	10

## Modular Flex Loop Systems

16	ECX1326A	Flex Loop Elbow	20
17	SPX14853	Sweep Elbow Union Assembly	20