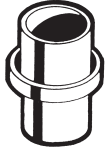


# PoolVac & Navigator®

PARTS KITS AND ACCESSORIES FOR CONCRETE AND VINYL MODELS

## Parts Diagram

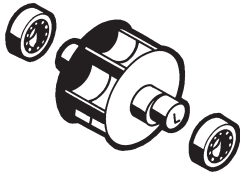
AXV092 Hose Connector



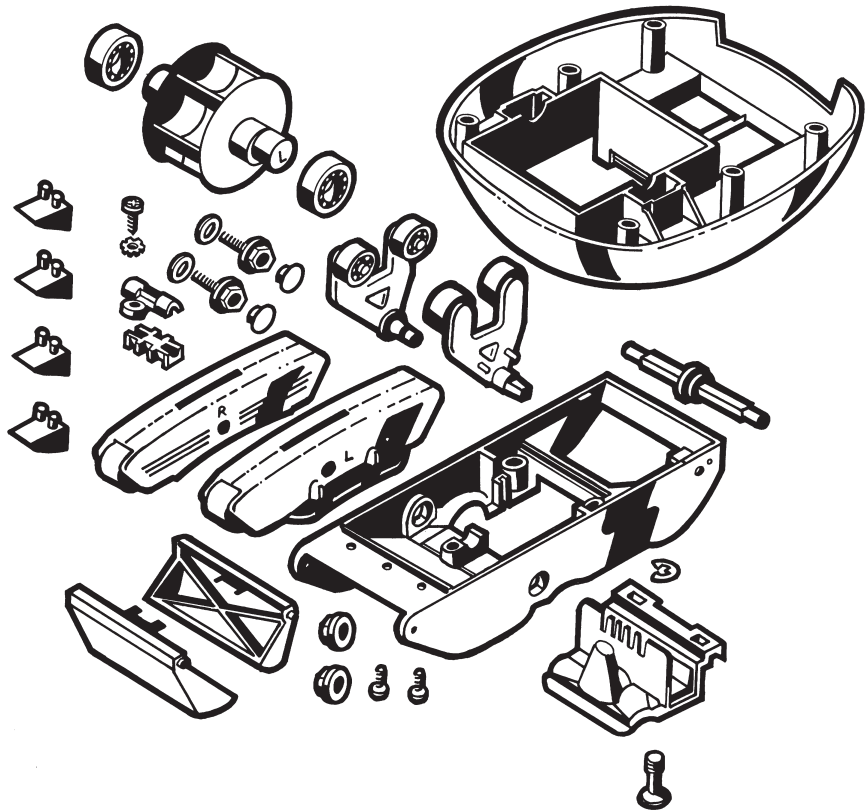
AXV098 Hose Adapter



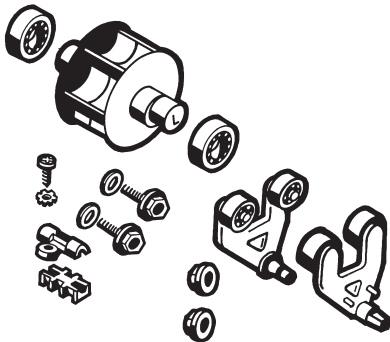
AXV602P Turbine Kit



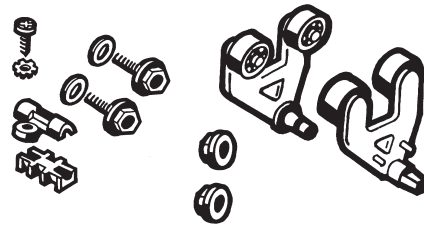
AXV622DPK Propulsion/Conversion Kit



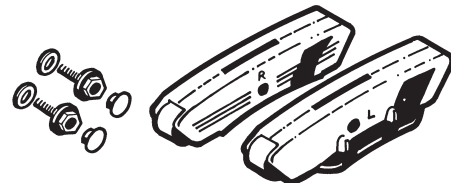
AXV621DAT Universal Model A-Frame/Turbine Kit



AXV621D Universal A-Frame Kit



AXV417WHP Pod Kit



# PoolVac & Navigator®

PARTS KITS AND ACCESSORIES FOR CONCRETE AND VINYL MODELS

## Parts Listing

Part No.	Black	Description	Ctn. Qty.
AXV414604WHP	—	<b>Shoe and Wing Maintenance Kit</b> (Includes one set of concrete shoes and one set of wings)	50
AXV079VP	—	<b>Medium Turbine/Spindle Gear Kit</b> (Includes medium turbine, drive gear bushing, spindle gear, screw, medium turbine axle, intermediate gear, intermediate gear axle)	25
AXV621D	—	<b>Universal A-Frame Kit</b> (Includes two A-frames and bushings, saddle, keeper, two hex head pod screws and pod screw washers)	25
AXV602P	—	<b>Turbine Kit</b> (Includes main turbine and two turbine bearings)	25
AXV621417WHP		<b>A-Frame and Pod Tune Up Kit</b> (Includes two soft roller A-frames and bushings, saddle, keeper, main turbine and bearings, hex head pod screws, pod screw washers, right and left pods and pod plugs)	10
AXV621DAT	—	<b>Universal A-Frame/Turbine Kit</b> (Includes two soft roller A-frames and bushings, saddle, keeper, main turbine and bearings, hex head pod screws and pod screw washers)	10
AXV417WHP	AXV417BKP	<b>Pod Kit</b> (Includes right and left pods and pod plugs)	25
AXV699P	—	<b>A-Frame/Bushing/Saddle Kit</b> (Includes two bushings, saddle, keeper, screw and washer)	25
AXV622DPK	AXV622DPK BK	<b>Concrete Universal Propulsion/Conversion Kit</b> (Includes access cover assembly, lower body and screws, A-frames and bushings, saddle, keeper, screw and washer, pods, hex head pod screws and washers, flaps and springs, flap adjuster, turbine and bearings, shoes and lower middle body)	1
AXV622604WHP	—	<b>Propulsion and Wing Rebuild Kit</b> (Includes access cover assembly, lower body and screws, A-frames and bushings, saddle, keeper, screw and washer, pods, hex head pod screws and washers, flaps and springs, flap adjuster, turbine and bearings, shoes and lower middle body)	1
AXV092	—	<b>Hose Connector</b>	25
AXV098	—	<b>Hose Adapter</b>	25