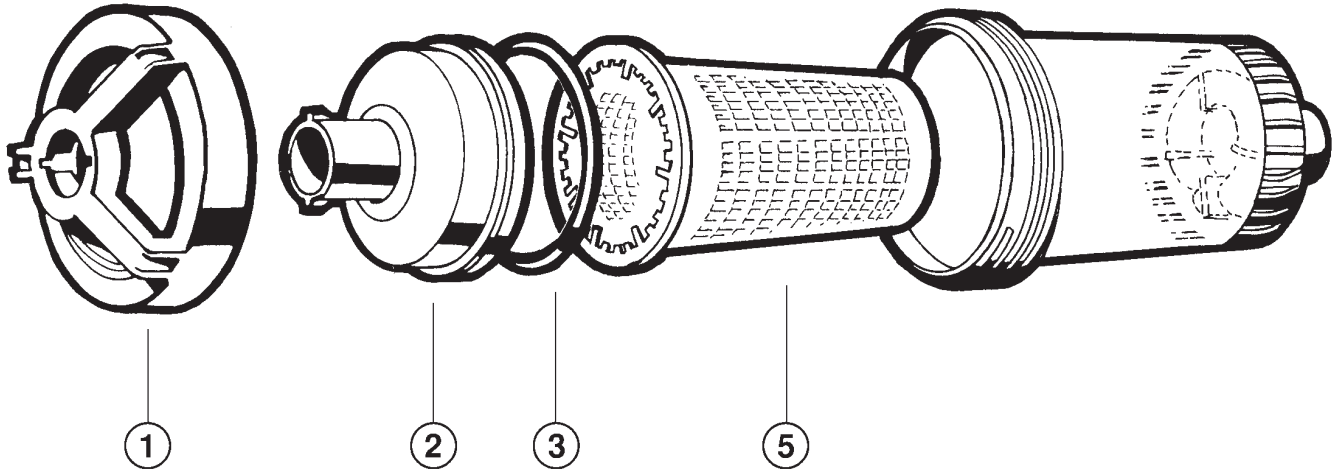


Leaf Canisters

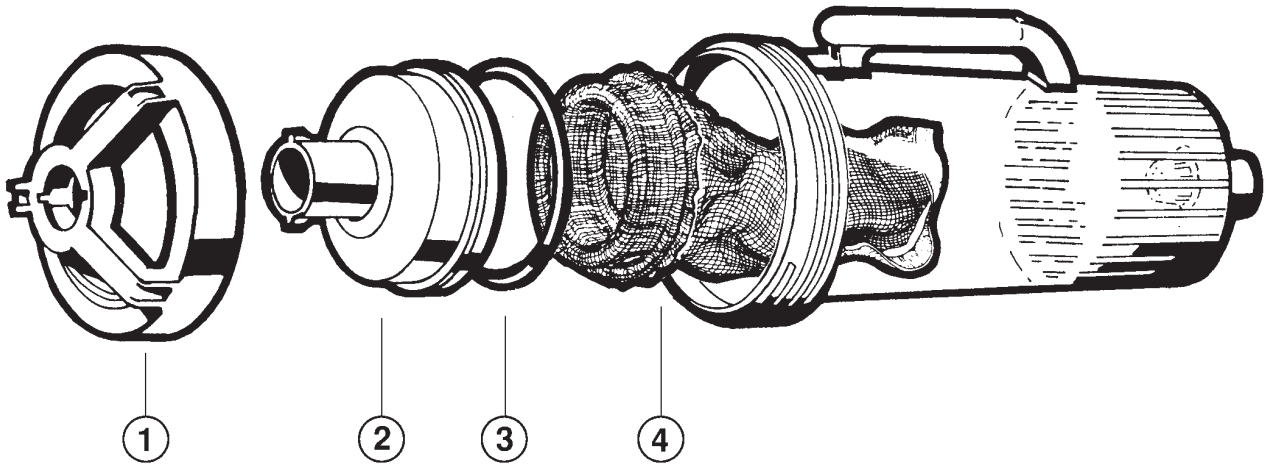
W530 AND 560 SERIES REPLACEMENT PARTS

Parts Diagram and Parts Listing

W560 LEAF CANISTER Standard Capacity



W530 LEAF CANISTER Large Capacity



Ref. No.	Part No.	Description	Ctn. Qty.
1	AXW532BL	Lock Ring for W530 and W560	5
2	AXW533AGR	Lid with O-Ring Assembly	10
3	AXW542	Leaf Canister O-Ring for W530 and W560	25
4	AXW538	Permanent Bag for W530	5
5	AXW431ABK	Leaf Basket for W560	8
—	AXV098	Hose Adapter for W530 and W560	25