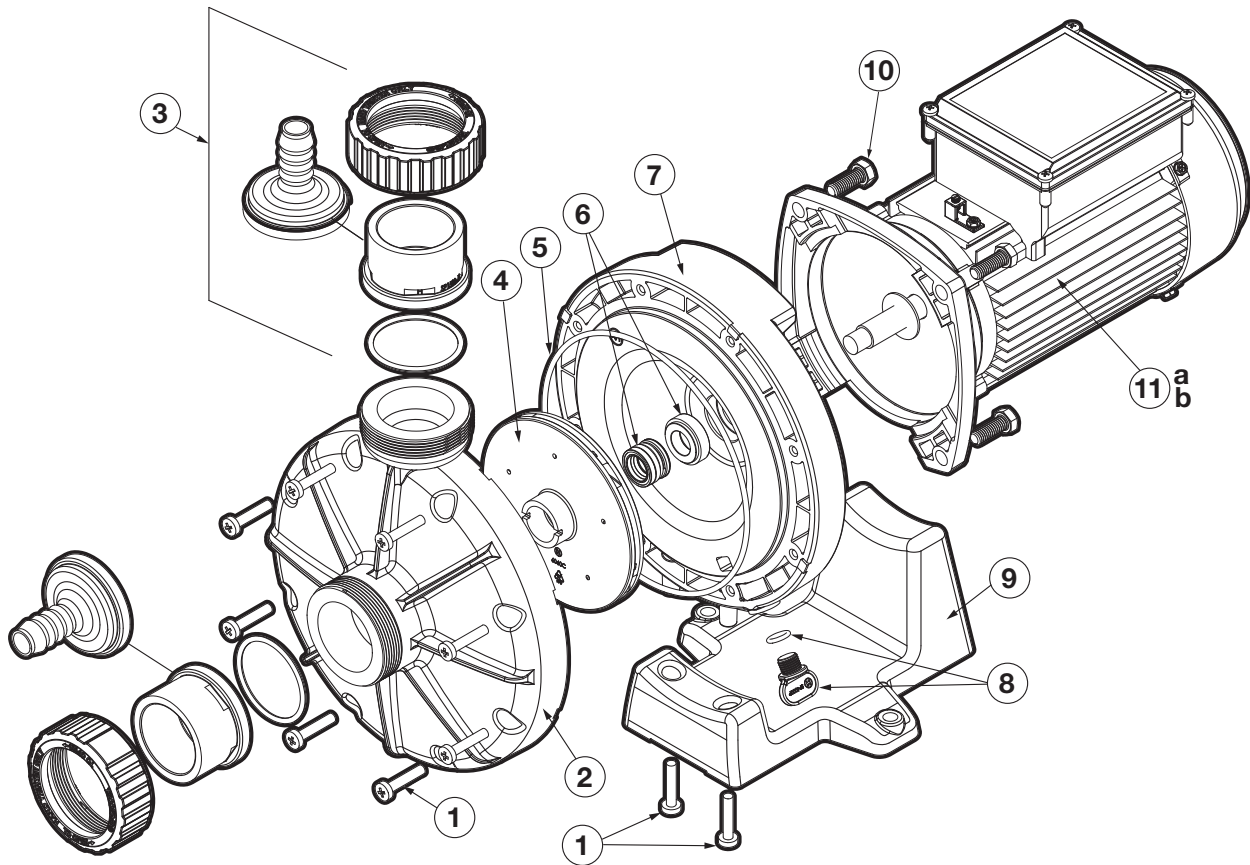


Booster Pump

HSP30060, (W3)6060 BOOSTER PUMP REPLACEMENT PARTS

Pumps

Parts for Booster Pump Models: HSP30060, (W3)6060



Ref. No.	Part No.	Description	Ctn. Qty.
(W3)6060 Booster Pump Parts			
1	AX6060Z1	Volute Screws	10
2	AX6060A	Volute	1
3	AX6060UNPAK	Union Fittings Kit (2 Unions with O-Rings)	5
—	SPX1495Z1	Union O-Ring	50
4	AX6060C	Impeller Assembly	5
5	AX6060S	Volute O-Ring	50
6	SPX2700SA	Seal Assembly	10
7	AX6060E	Seal Plate Assembly (Seal Plate with Drain Plug and O-Ring)	1
8	SPX4000FG	Drain Plug with O-Ring	50
9	AX6060G	Motor Support	1
10	SPX3200Z5PAK4	Motor Bolt (Pack of 4)	50
11a	SPX2707Z1BT	HSP30060/6060 Motor, TEFC	1
11b	SPX2707Z1B	HSP30060/6060 Motor, ODP	1
—	6060HKIT	Booster Pump Hose Kit, HSP30060 and 6060	5

Replacement dedicated-purpose pool pump motors that are single-phase and 0.5 Total HP or greater but not variable speed cannot be offered for final retail sale in California per Title 20 CCR Section 1601-1609 or New York State per Title 21 Section 509.