

Raypak[®]
A Rheem[®] Company

AVIA[®]

Pool Pro inspired pool heater, built
by the pool heating experts and
backed by a 3-year warranty.



AVIA[®]

Invest in **LONGEVITY**
Invest in the Future



 **PROUDLY
BASED IN
THE U.S.A.**

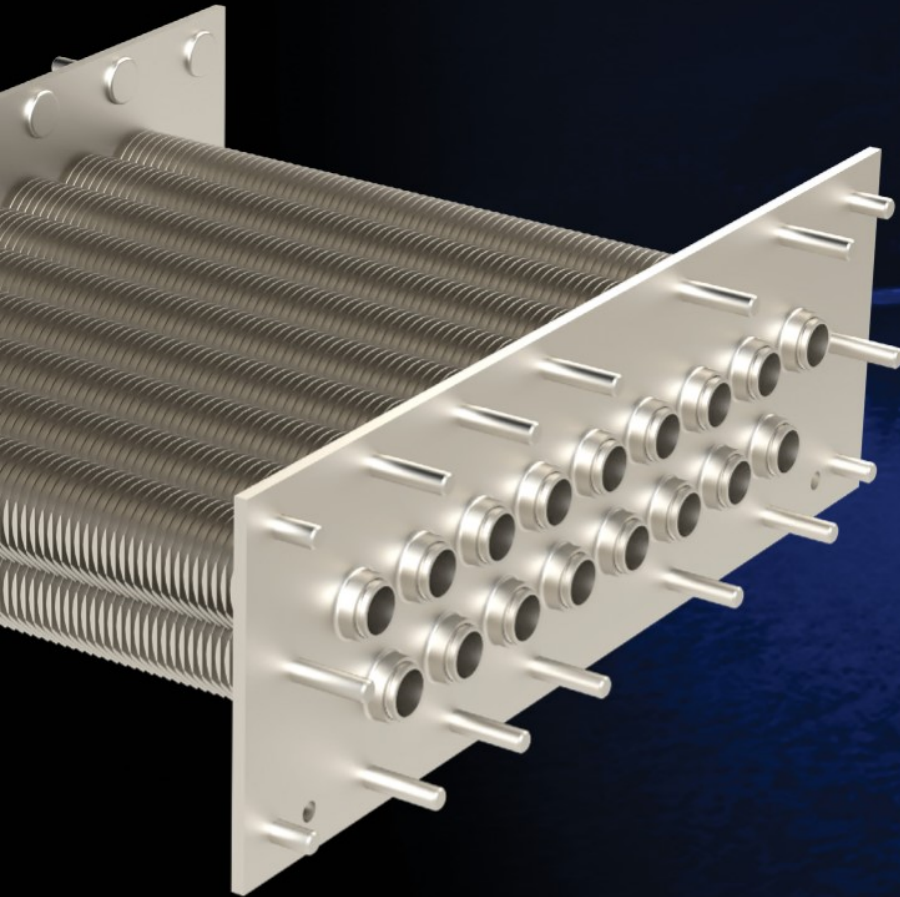
Robust Materials

Built to Outlast

AVIA was born based on feedback from Pool Pros as an innovative, drop-in replacement heater that maintains Raypak's timeless traditions in pool heating design.



Learn more
about AVIA & our
3-year warranty



Straight Tube HX

Our patented straight tube heat exchanger (HX) lasts longer by eliminating bends and helical coils. The straight tube design also allows for annual maintenance and preventative care.



NiTek HX

300% more erosion resistant
than copper & 200% more
than cupronickel.

Based on ASTM G73-10 (2017) – material
durability (liquid impingement erosion test).
NiTek available on HD models.



Stainless Steel

Our combustion chamber
provides better corrosion
resistance compared to
galvanized steel used in
common heaters.

Added Value to the Pool Pro



Fully Serviceable

Easily access key components through the top of the unit.



Drop-In Replacement

Water & gas connections align with common heaters saving time during installation.



3-Year Full Heater Warranty

For all residential replacements & new builds.

Innovation Fueled by Expertise

Heater temperature control and heat time calculator for the homeowner. Fleet management, diagnostic and performance data for the pool pro available on the Raymote® App.



Fast & Energy Efficient

84% efficient Low NO_x copper & HD models. Future proofed against efficiency regulations.



Wi-Fi Connected

Free Wi-Fi control and fleet monitoring dashboard.



Basic Automation

Direct connect and control of AquaStar® Pipeline Pumps® for the perfect basic automation setup.




Have you heard of

   **THE**
NEWS3

We've partnered with Poolside Tech® and AquaStar® to bring you the best-in-class pool package. Each experts in our own field bringing you the most efficient pool system on the market.



 **POOLSIDE TECH**
THE ATTENDANT

 **AQUASTAR**
PIPELINE FILTERS
& PUMPS

RAYPAK
AVIA 

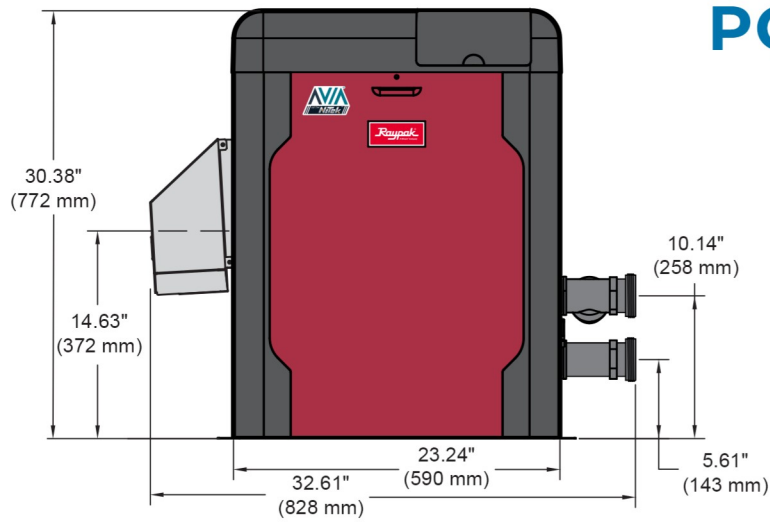


Trusted Raypak Brand

We are the pool heating experts with over 75 years of expertise in manufacturing pool heaters

POOL & SPA HEATER

MODELS 264A & 404A

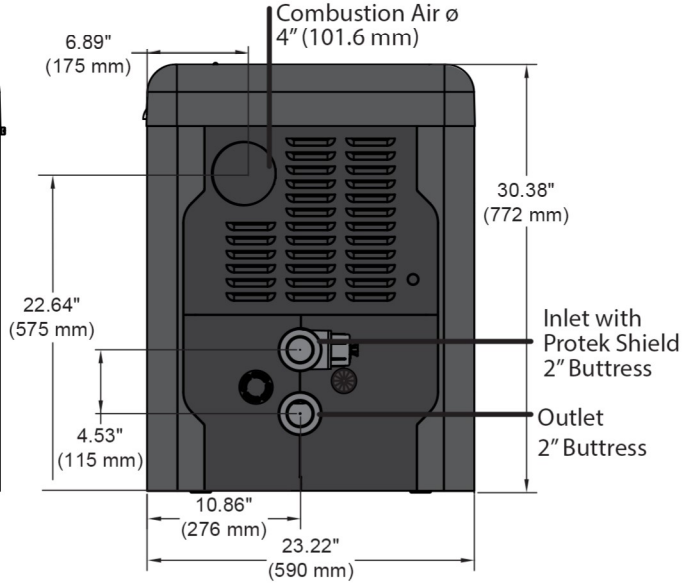
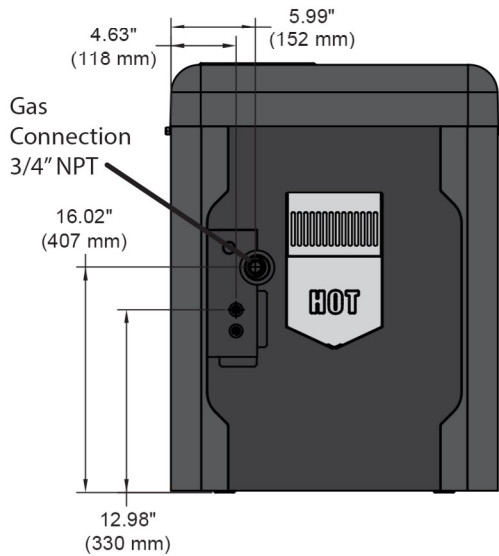
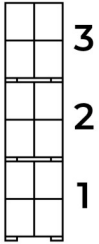


LEFT SIDE

FRONT

RIGHT SIDE

Stack
3 pallet
high MAX



Model Number	Part Number	MBTUH Input (kWh)	Thermal Efficiency %	Gas Type	ELEVATION FT. *	Flue ø in. (mm)	Unit Weight lbs. (kg)	Shipping Weight lbs. (kg)
NiTek Heat Exchanger								
P-R264A-EN-N	018044	264 (77.4)	84	Natural	0-10000	4 (101.6)	135 (61.2)	155 (70.2)
P-R264A-EP-N	018050	264 (77.4)	84	Propane	0-4500	4 (101.6)	135 (61.2)	155 (70.2)
P-R404A-EN-N	018045	399 (116.9)	84	Natural	0-10000	4 (101.6)	135 (61.2)	155 (70.2)
P-R404A-EP-N	018051	399 (116.9)	84	Propane	0-4500	4 (101.6)	135 (61.2)	155 (70.2)
Copper Heat Exchanger								
P-R264A-EN-C	018032	264 (77.4)	84	Natural	0-10000	4 (101.6)	135 (61.2)	155 (70.2)
P-R264A-EP-C	018038	264 (77.4)	84	Propane	0-4500	4 (101.6)	135 (61.2)	155 (70.2)
P-R404A-EN-C	018033	399 (116.9)	84	Natural	0-10000	4 (101.6)	135 (61.2)	155 (70.2)
P-R404A-EP-C	018039	399 (116.9)	84	Propane	0-4500	4 (101.6)	135 (61.2)	155 (70.2)

* This product is approved up to 4,500 ft of elevation per CAN/CGA-2.17-M91. Rated inputs are suitable for up to 4,500 feet (1371 m) elevation. Approved up to 10,000 ft for natural gas; Liquid Propane approved to 4501-7800 ft using kit 018762F.

ProTek Shield Replacement Kit	Part No.
ProTek Shield Module	017960F
ProTek Shield Bulk Pack (25 PCS)	018847F

raypak.com/pool

2151 Eastman Avenue | Oxnard, CA 93030 | 805-278-5300

Litho in U.S.A. ©2024 Raypak, Inc.
RP-P-600-1 REV C Effective 10-01-24 | Replaces 12-18-23